

SHUNTING AID TYPE RH



Typ RH

A shunting aid makes light work of manoeuvring trailers on company premises, for example on the shop floor

- sturdy sleeves for the forks
- safety feature to prevent slipping
- easy to connect

Type RH

- with coupling ball

Typ RH-RM

- with trailer coupling Rockinger RO 805 B with bolt Ø 31,5 mm

Typ RH-RMK

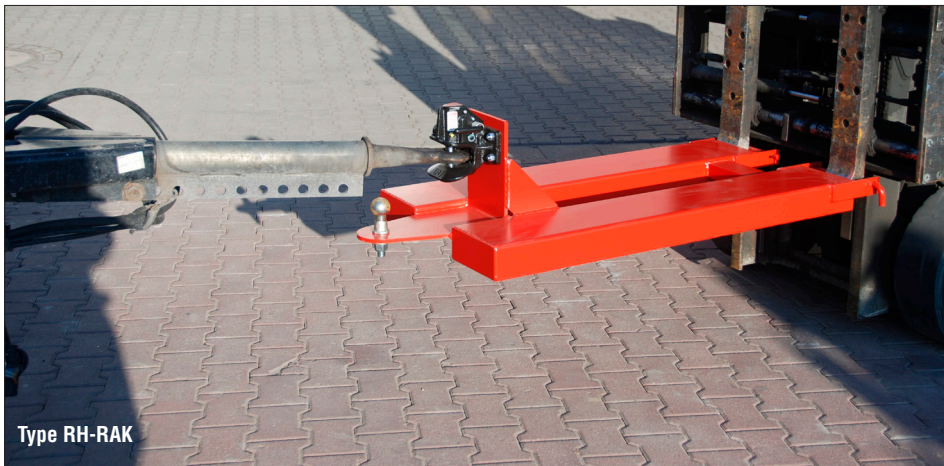
- the same as Type RH-RM, but additional with coupling ball

Typ RH-RA

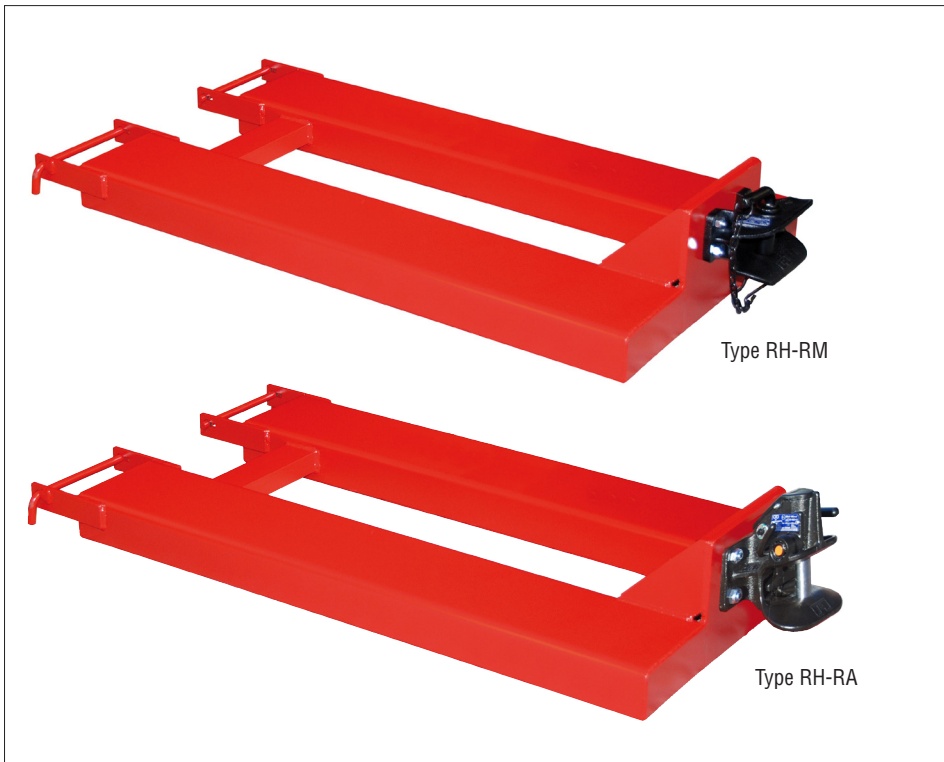
- with automatically trailer coupling Rockinger RO 244-2 with bolt Ø 25 mm

Typ RH-RAK

- the same as Type RH-RA, but additional with coupling ball

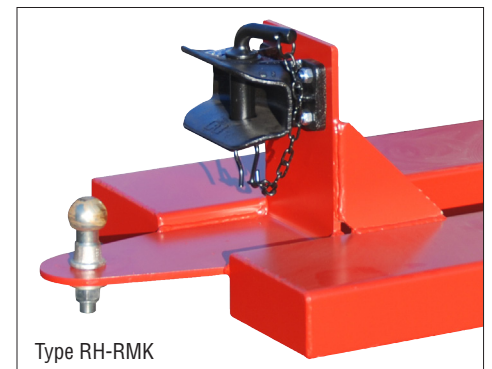


Type RH-RAK

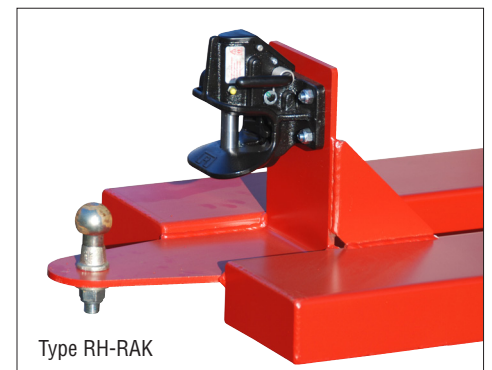


Type RH-RM

Type RH-RA



Type RH-RMK



Type RH-RAK

| Type | Dimensions (lxwxh) in mm | Length of fork sleeves in mm | Fork sleeves inside dimensions (wxh) in mm | Distance between fork sleeves in mm | max. load capacity(kg) | | Weight in kg |
|--------|-----------------------------|---------------------------------|---|--|------------------------|------------------|-----------------|
| | | | | | coupling ball | trailer coupling | |
| RH | 405 x 545 x 165 | 405 | 168 x 68 | 200 | 100 | - | 24 |
| RH-RM | 1435 x 680 x 240 | 1200 | 200 x 80 | 200 | - | 650 | 72 |
| RH-RMK | 1505 x 680 x 340 | 1200 | 200 x 80 | 200 | 100 | 650 | 77 |
| RH-RA | 1450 x 680 x 280 | 1200 | 200 x 80 | 200 | - | 250 | 72 |
| RH-RAK | 1505 x 680 x 340 | 1200 | 200 x 80 | 200 | 100 | 250 | 77 |

Finish:

RAL 3000